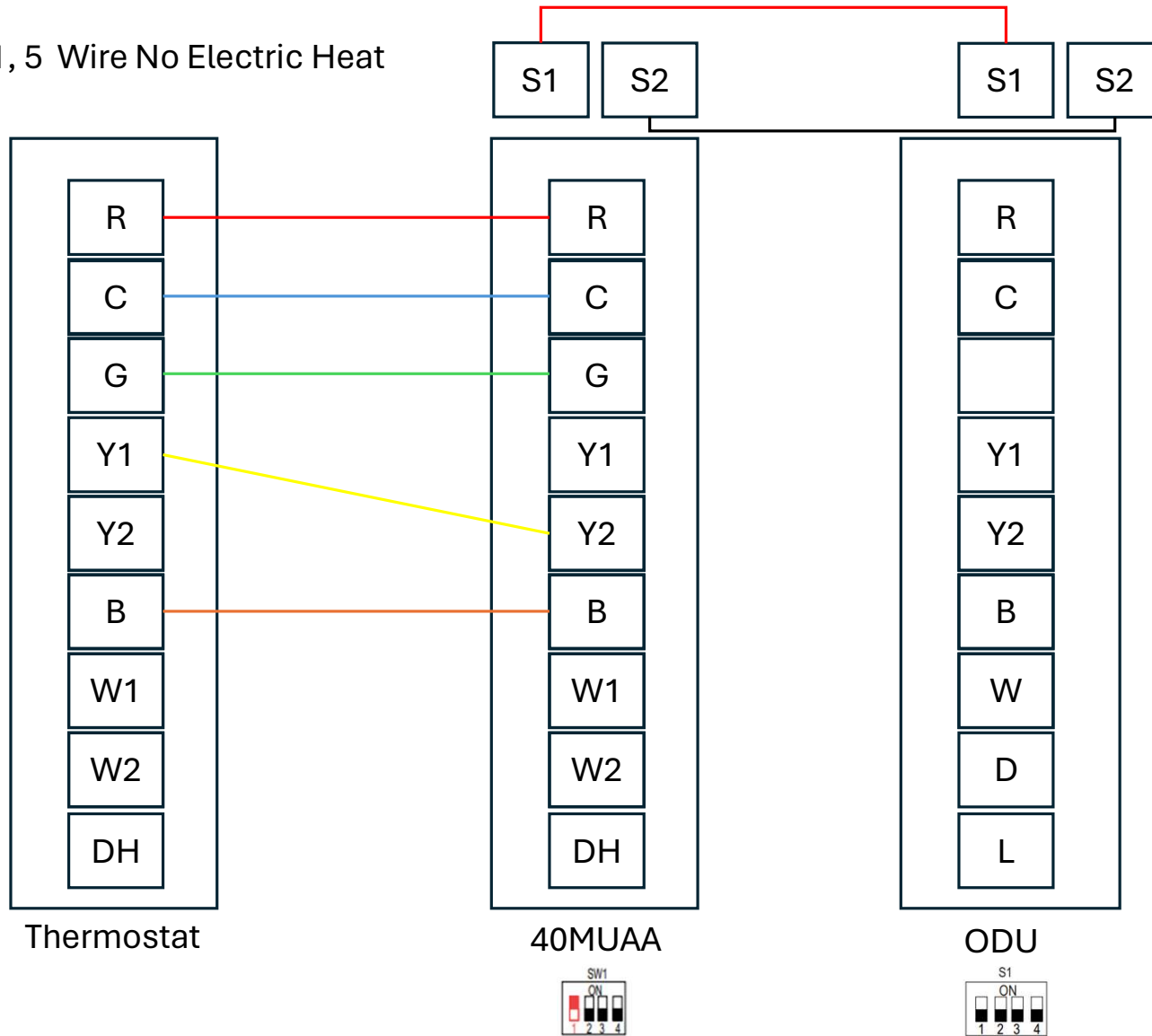


Scenario 1, 5 Wire No Electric Heat
1C, 1H



** Reversing Valve energize in Heat**

Doted Line is optional