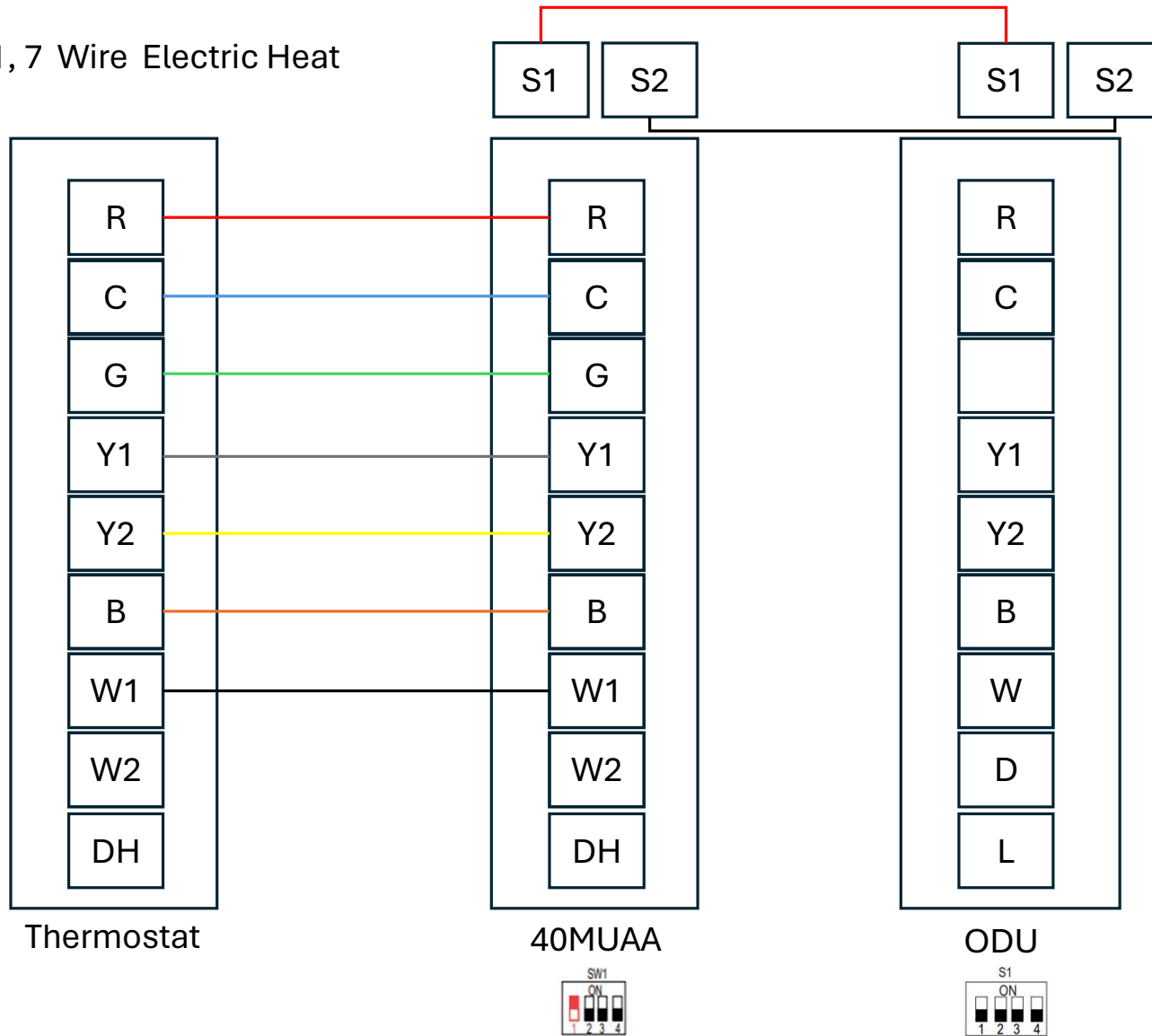


Scenario 1, 7 Wire Electric Heat
2C, 3H



** Reversing Valve energize in Heat**

Doted Line is optional