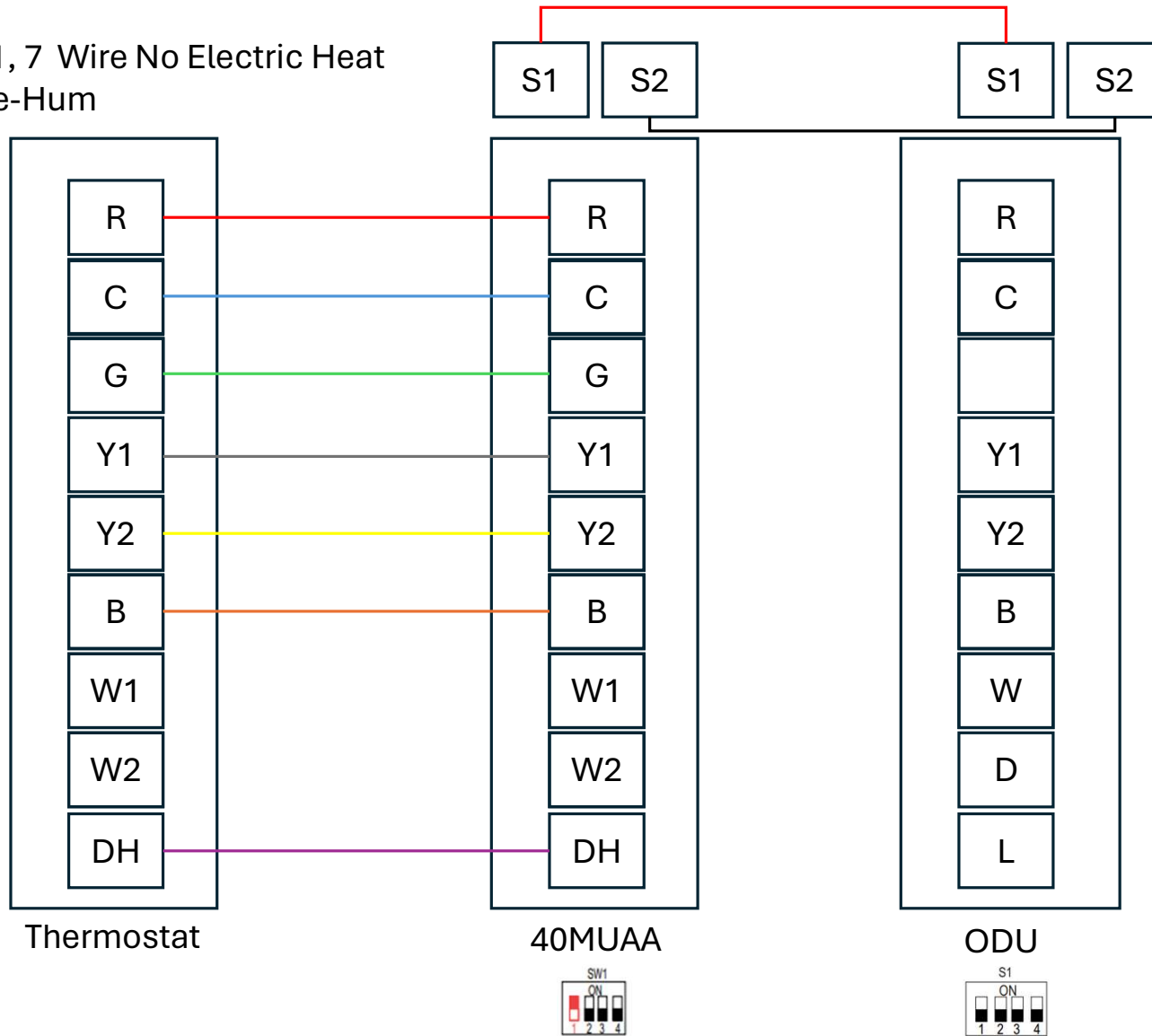


Scenario 1, 7 Wire No Electric Heat
2C, 2H, De-Hum



** Reversing Valve energize in Heat**

Doted Line is optional