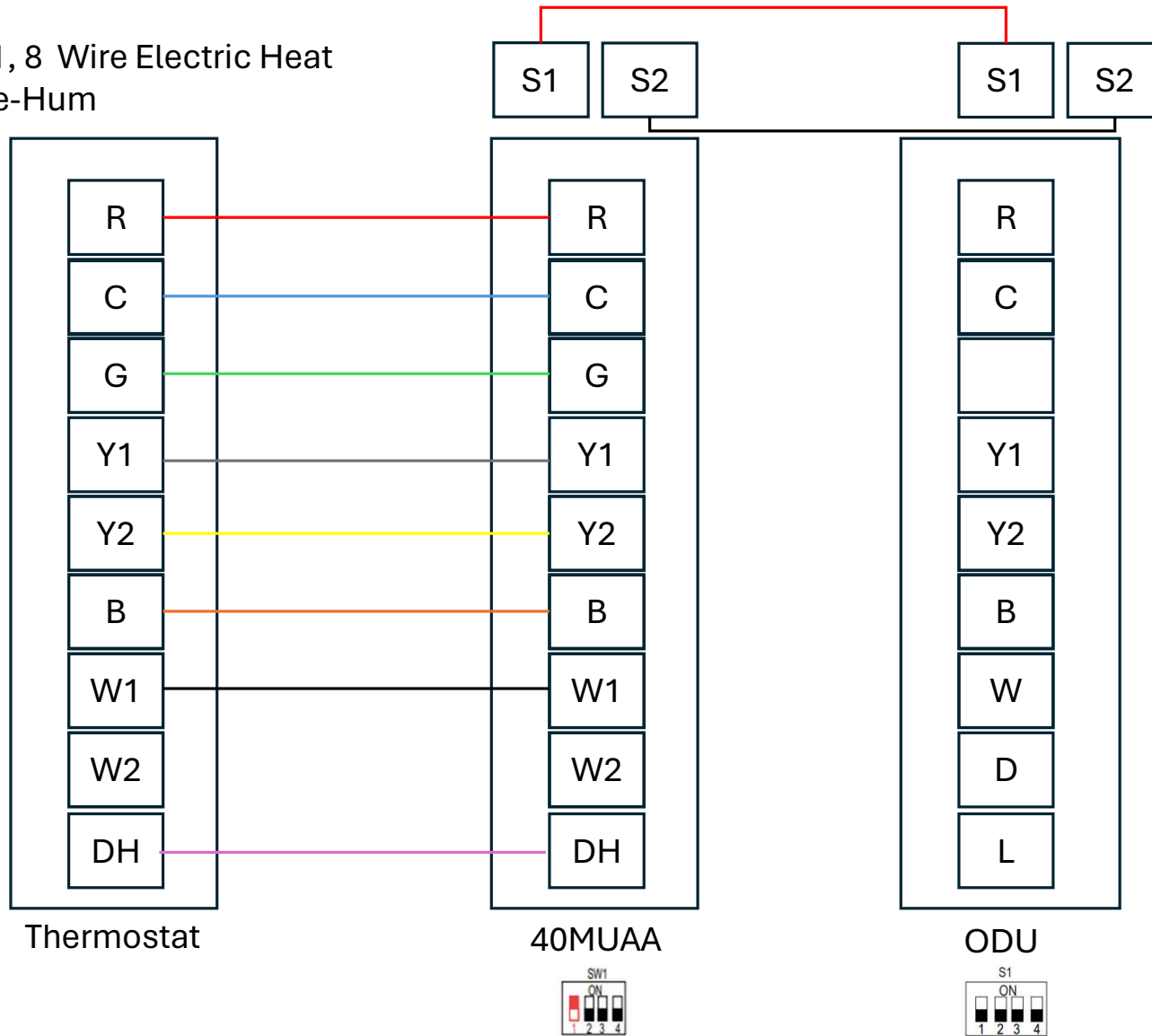


Scenario 1, 8 Wire Electric Heat  
2C, 3H, De-Hum



\*\* Reversing Valve energize in Heat\*\*

\*\*Doted Line is optional\*\*  
\*\*S4 Bit 2 Off for DH\*\*