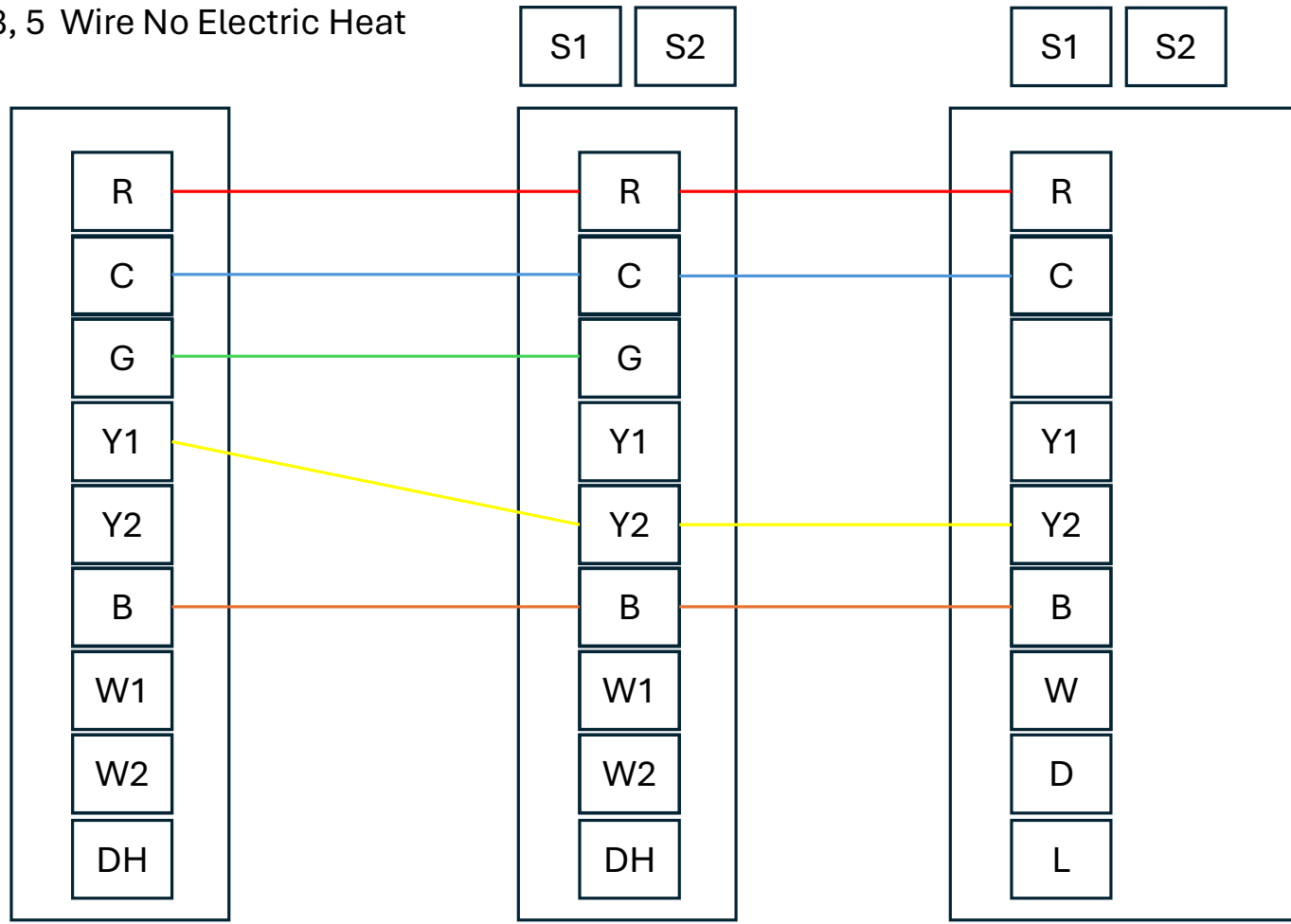


Scenario 3, 5 Wire No Electric Heat
1C, 1H



Thermostat

40MUAA

ODU



** Reversing Valve energize in Heat**

Doted Line is optional