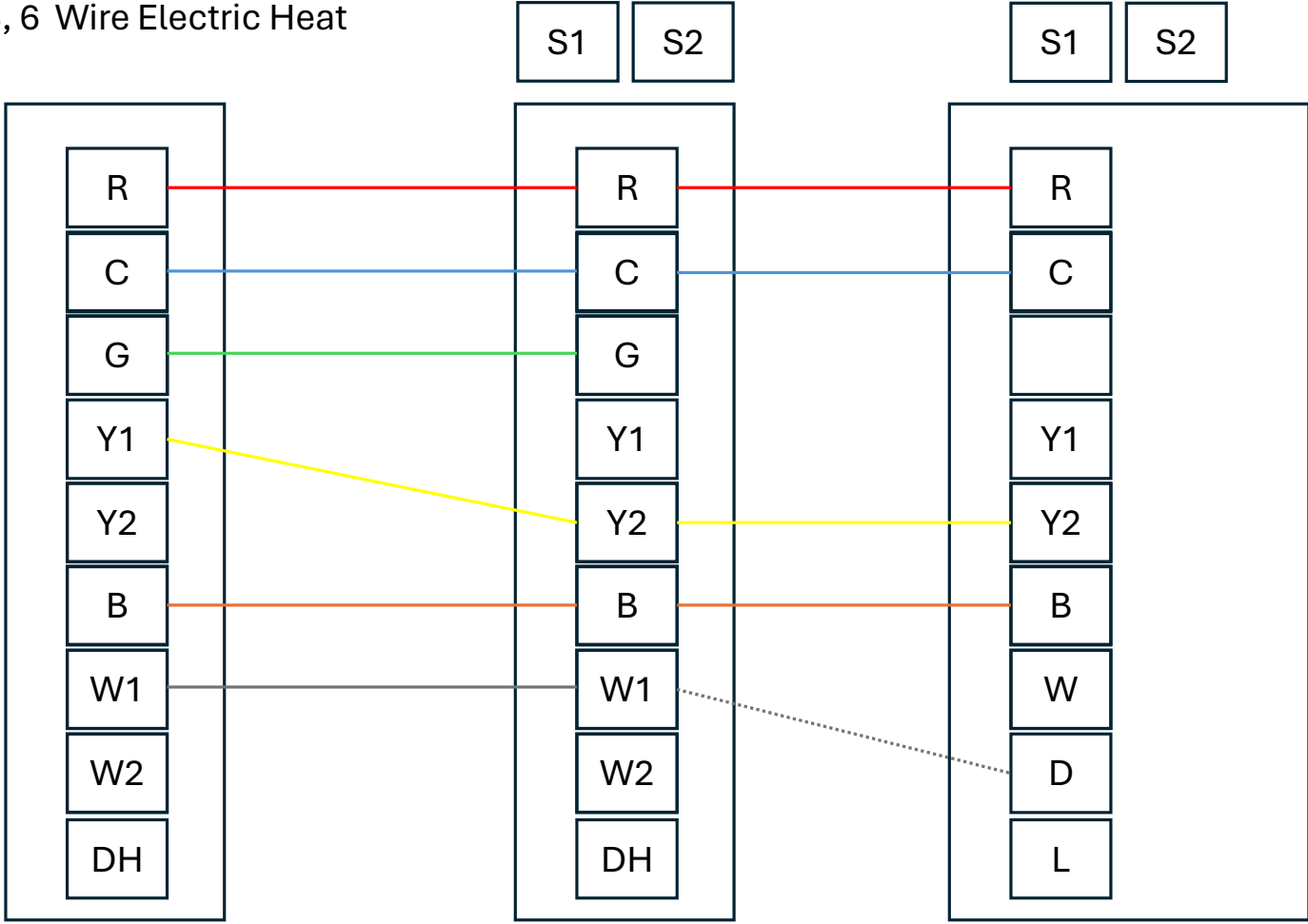


Scenario 3, 6 Wire Electric Heat
1C, 2H



Thermostat

40MUAA

ODU

** Reversing Valve energize in Heat**

Doted Line is optional

