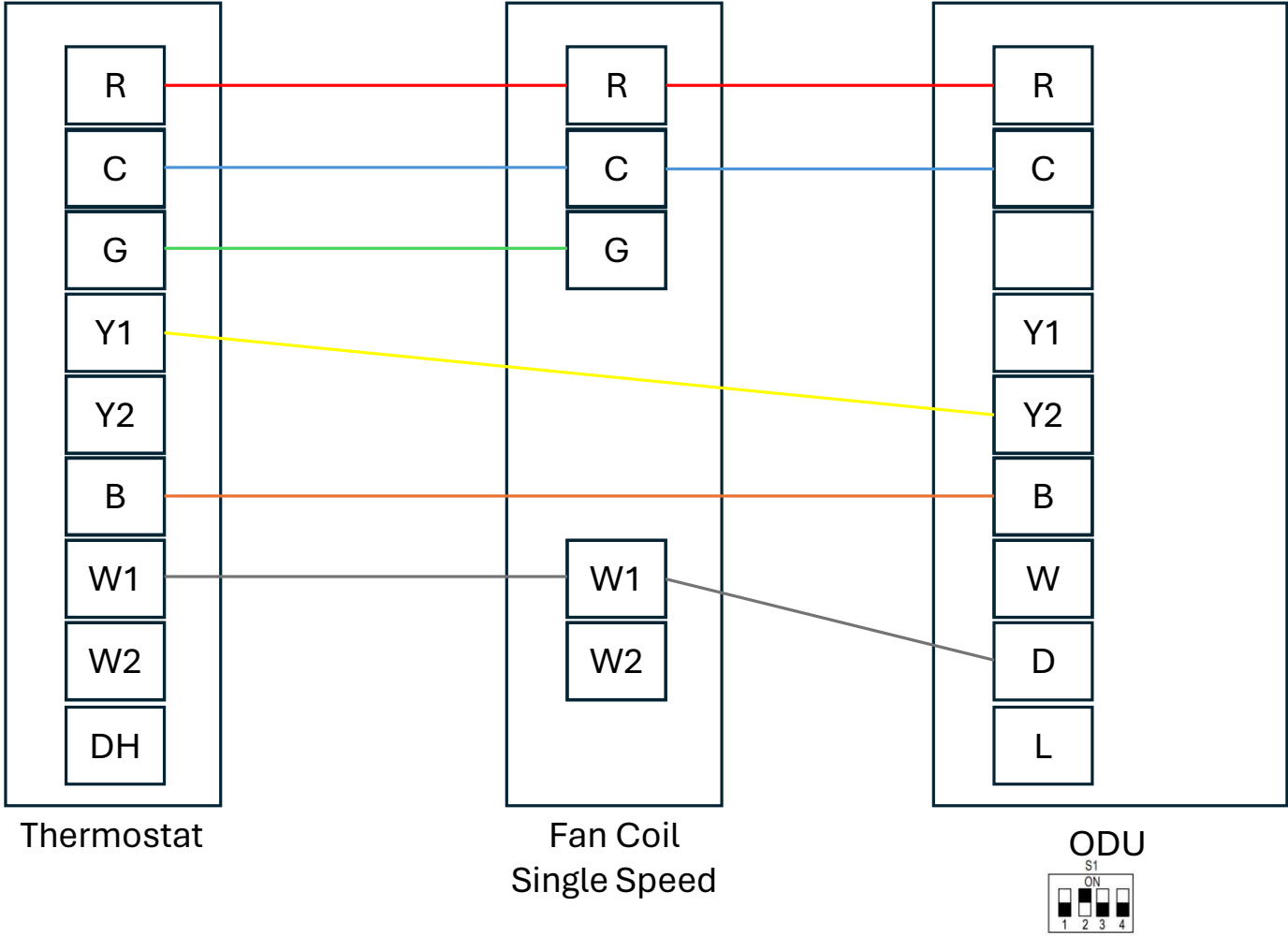


Scenario 3, 6 Wire Electric Heat  
 Fan Coil Single Fan Speed 1C, 2H

\*\* Reversing Valve energize in Heat\*\*



\*\*Doted Line is optional\*\*