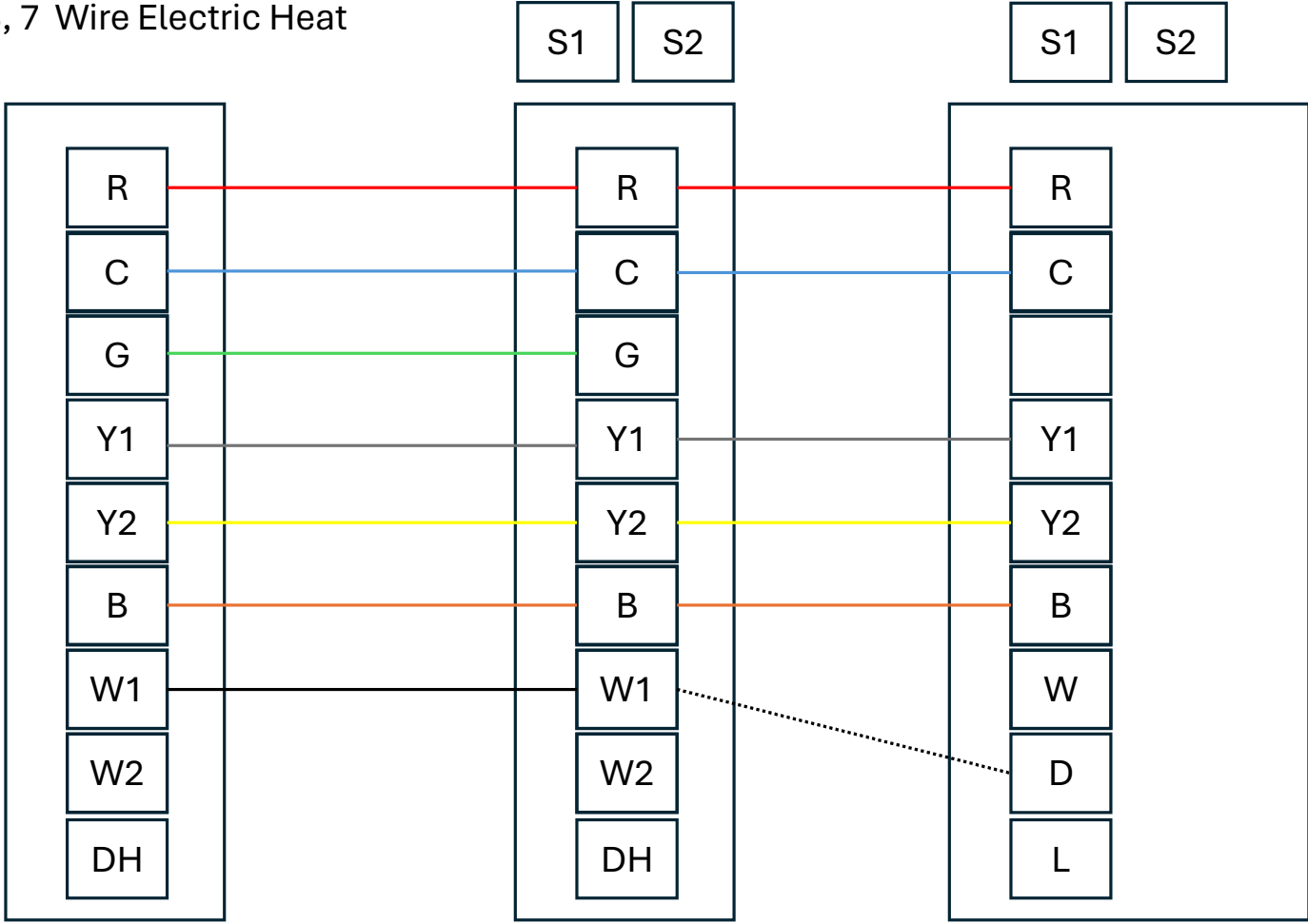


Scenario 3, 7 Wire Electric Heat  
2C, 3H,



Thermostat

40MUAA

ODU



\*\* Reversing Valve energize in Heat\*\*

\*\*Doted Line is optional\*\*