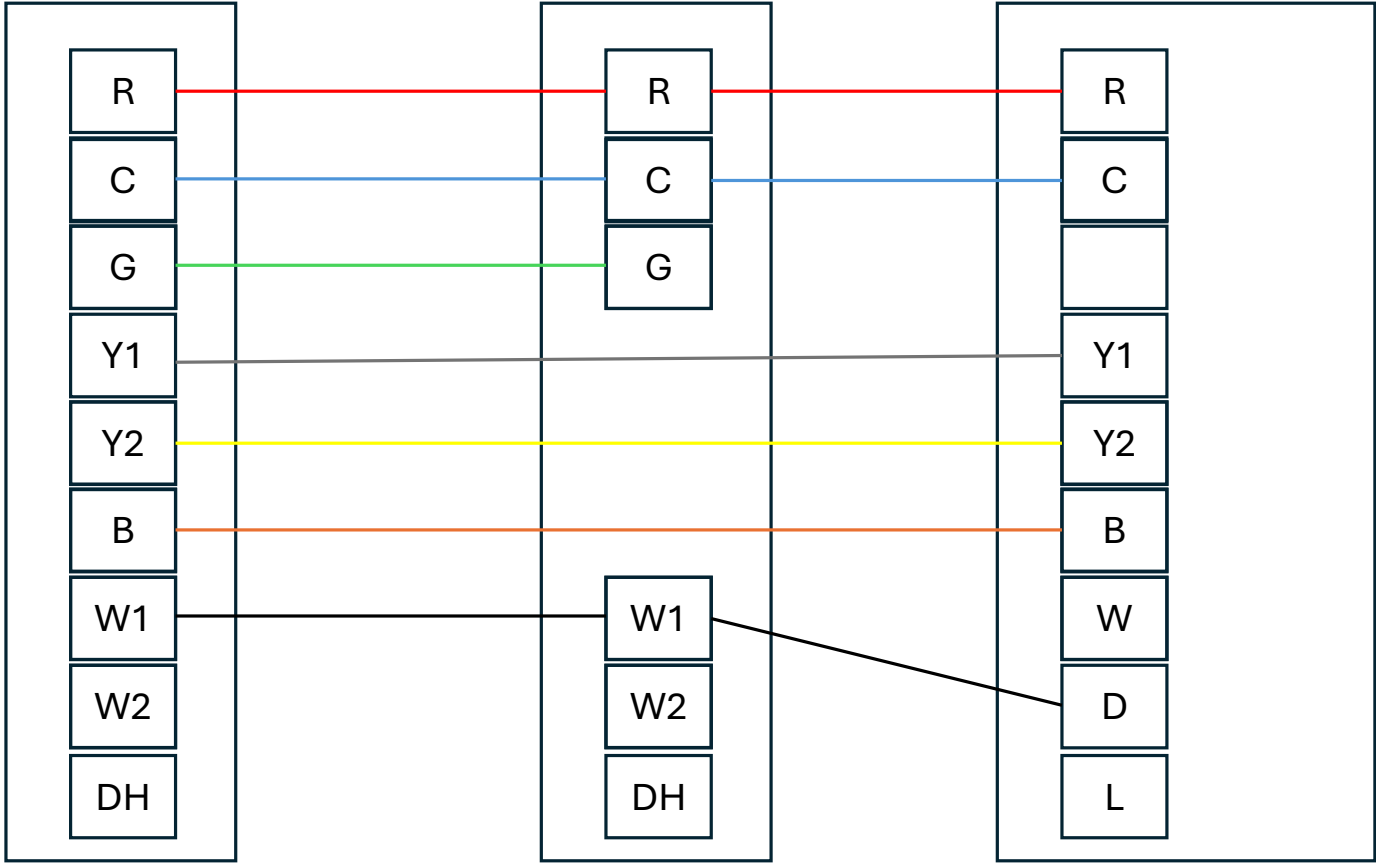


Scenario 3, 7 Wire Electric Heat  
 Fan Coil Variable Fan Speed 2C, 3H

\*\* Reversing Valve energize in Heat\*\*



Thermostat

Fan Coil  
 Variable Speed

ODU



\*\*Dotted Line is optional\*\*