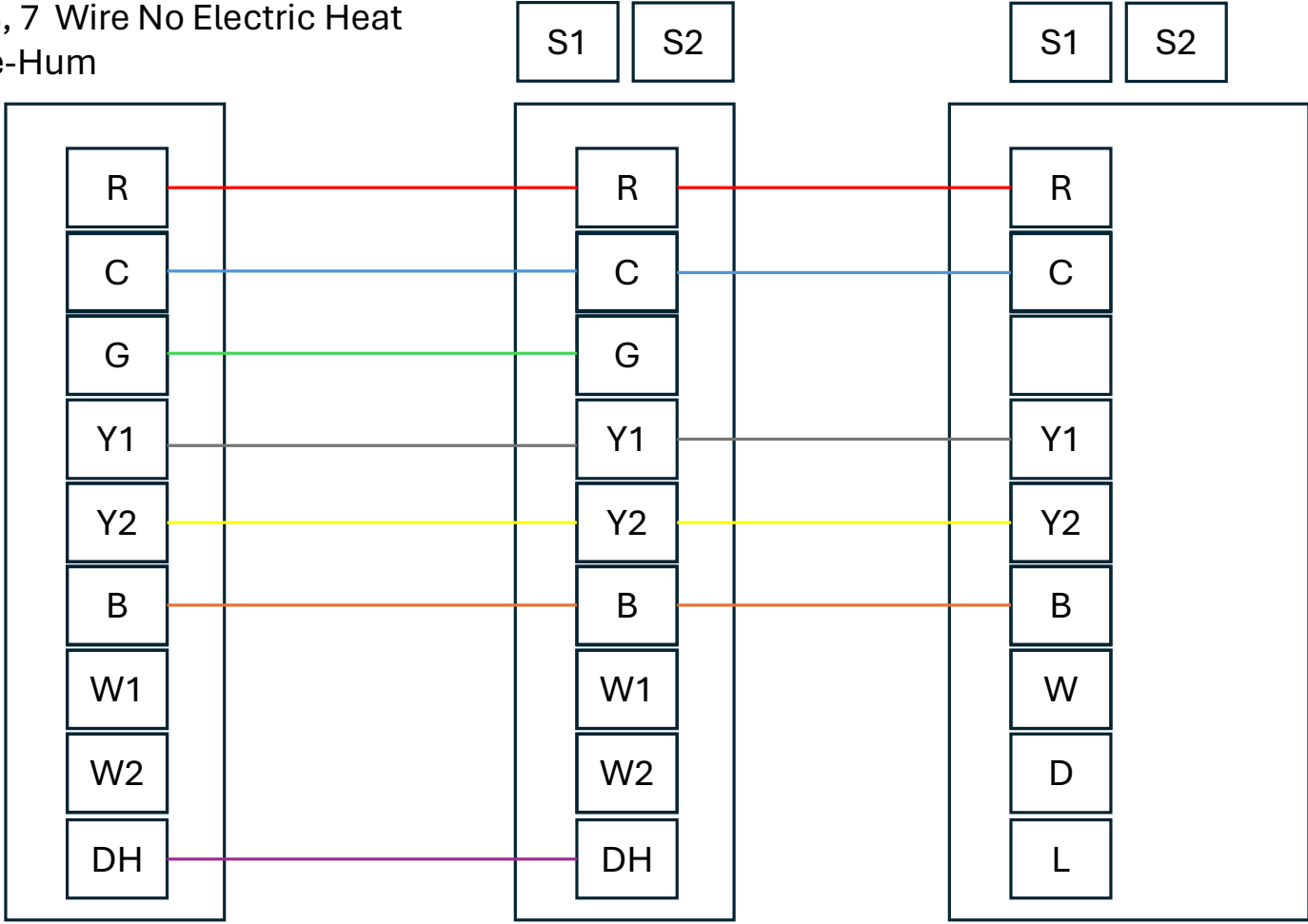


Scenario 3, 7 Wire No Electric Heat  
 2C, 2H, De-Hum



\*\* Reversing Valve energize in Heat\*\*

Thermostat

40MUAA

ODU

\*\*Doted Line is optional\*\*

