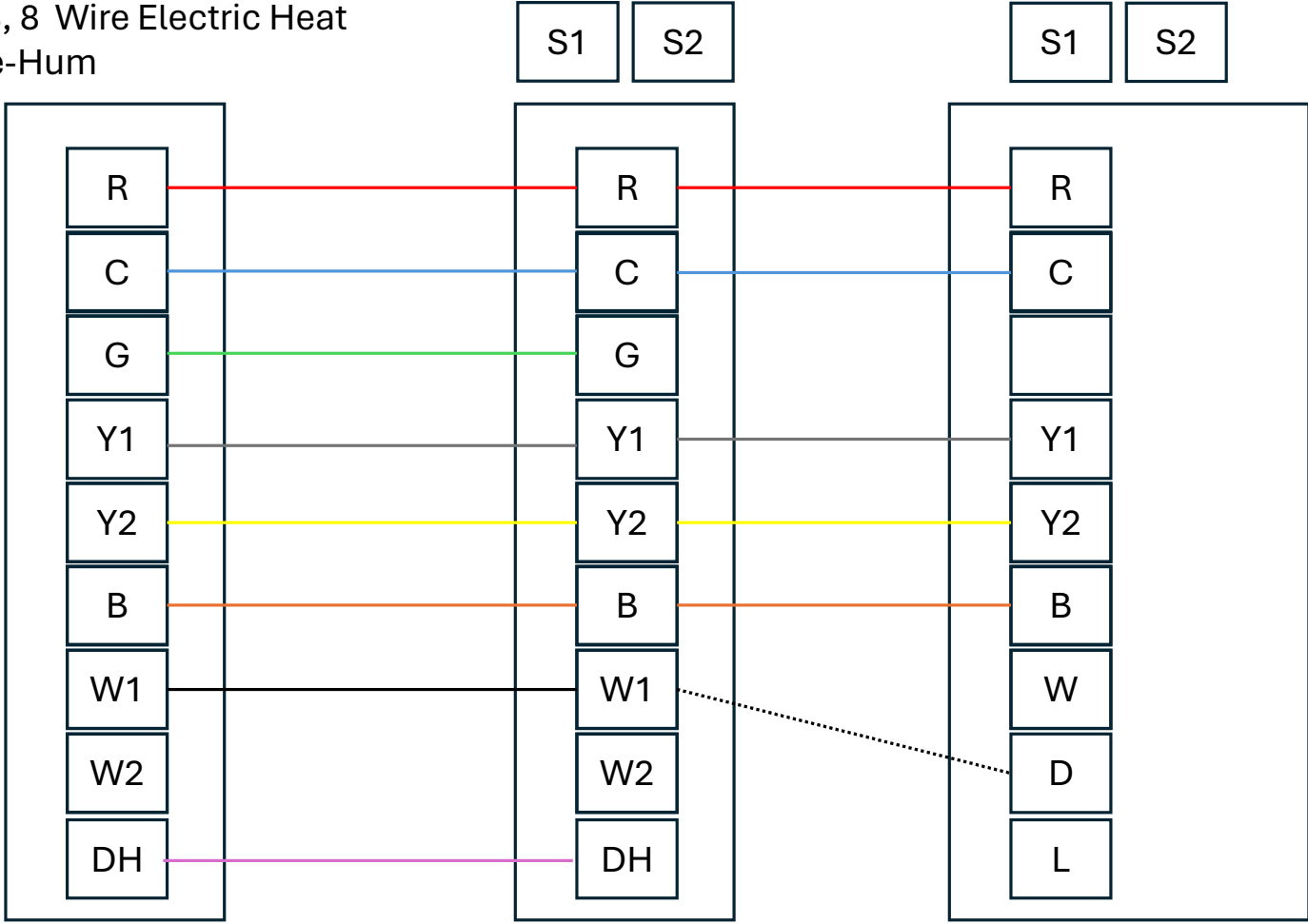


Scenario 3, 8 Wire Electric Heat  
 2C, 3H, De-Hum



Thermostat

40MUAA

ODU



\*\* Reversing Valve energize in Heat\*\*

\*\*Doted Line is optional\*\*

\*\*S4 Bit 2 Off for DH\*\*