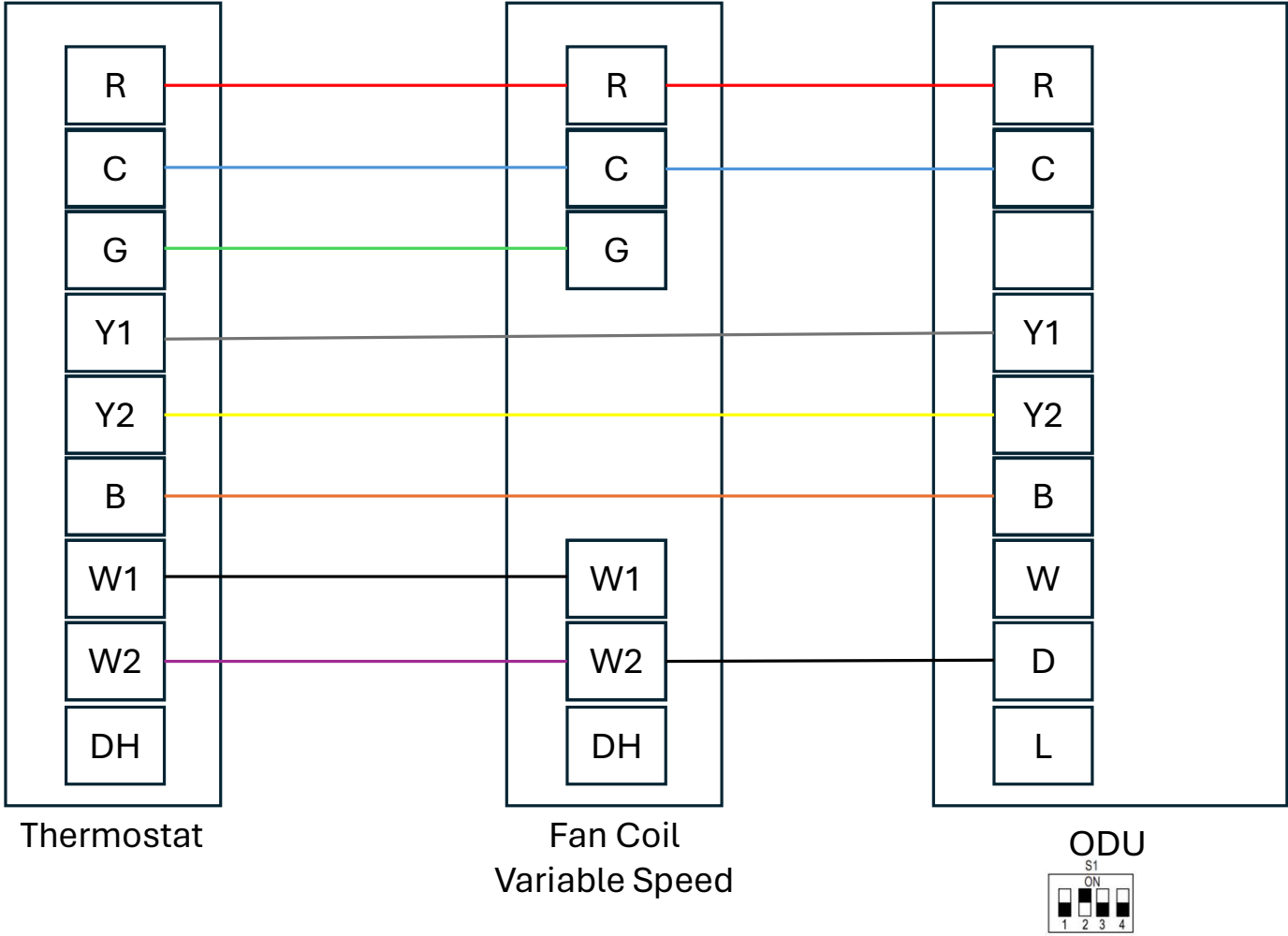


Scenario 3, 8 Wire Electric Heat
 Fan Coil Variable Fan Speed 2C, 4H,

** Reversing Valve energize in Heat**



D on ODU can be hooked up to W1 or W2 depending on comfort profile

Dotted Line is optional