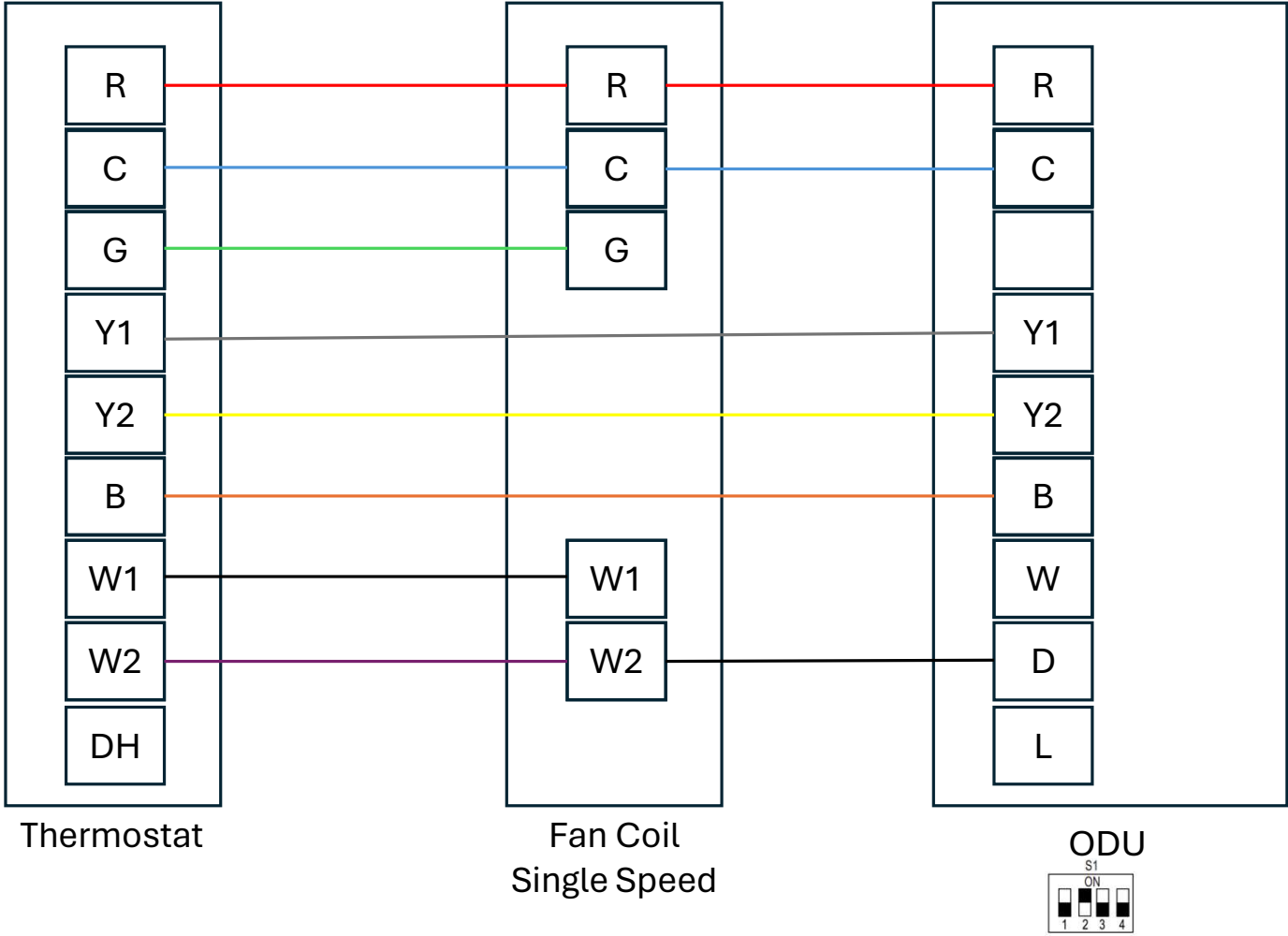


Scenario 3, 8 Wire Electric Heat  
Fan Coil Single Fan Speed 2C, 4H

\*\* Reversing Valve energize in Heat\*\*



\*\*D on ODU can be hooked up to W1 or W2 depending on comfort profile\*\*

\*\*Dotted Line is optional\*\*