

Carrier Bryant VRF Controls Checklist

**Carrier Enterprise
Technical Services**

Site Name: _____
 Address: _____
 City, State: _____ Zip: _____
 Contact: _____ Phone: _____

Touch Screen Central 40VM900006	Qty. _____	BACnet Interface 40VM900052	Qty. _____
LonWorks Interface 40VM900053	Qty. _____		

Touch Screen Option – 40VM900006A:

IP Address: _____ Subnet Mask: _____ Default Gateway: _____

24 VAC power supplied to control. Yes No

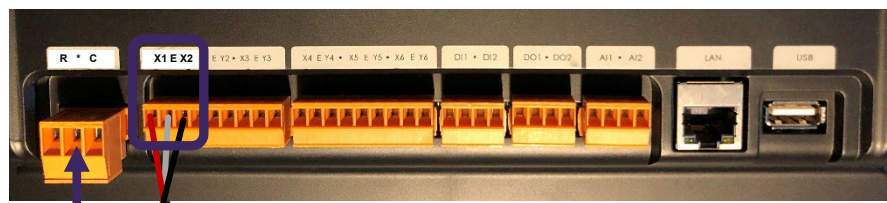
All control wiring is stranded, 2-conductor, non-polarity, shielded wire 16 AWG. Yes No

If not, enter what was used here. _____

Indoor unit(s) / MDC unit(s) daisy chain connected to Touch Screen X1, Y1 terminals. Yes No

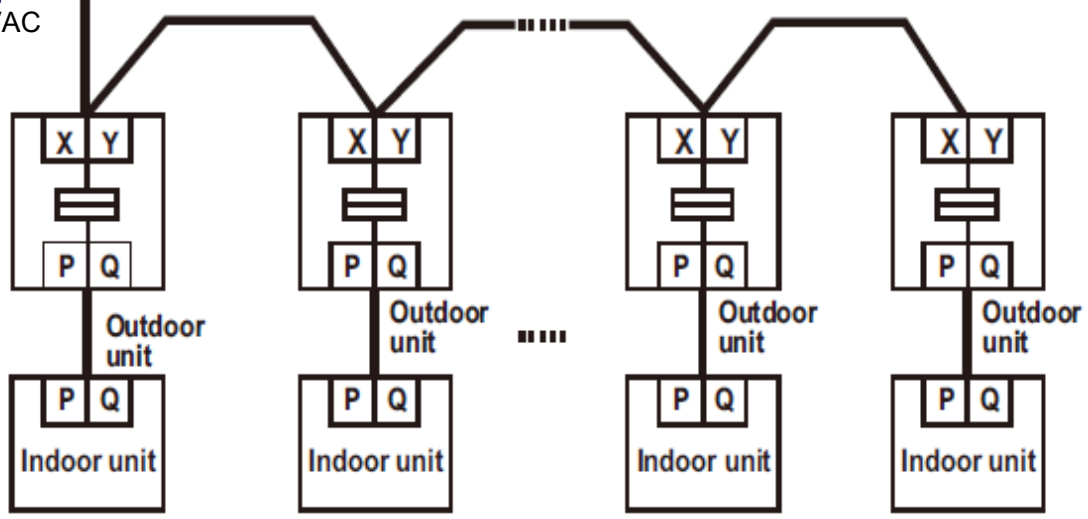
Wire shield is secured to “E” terminal per install instructions. Yes No

Back of Touch Screen Controller



24VAC

Max. 8 Refrigeration Systems and Max. 64 indoor units per X, Y group



Carrier Bryant VRF Controls Checklist

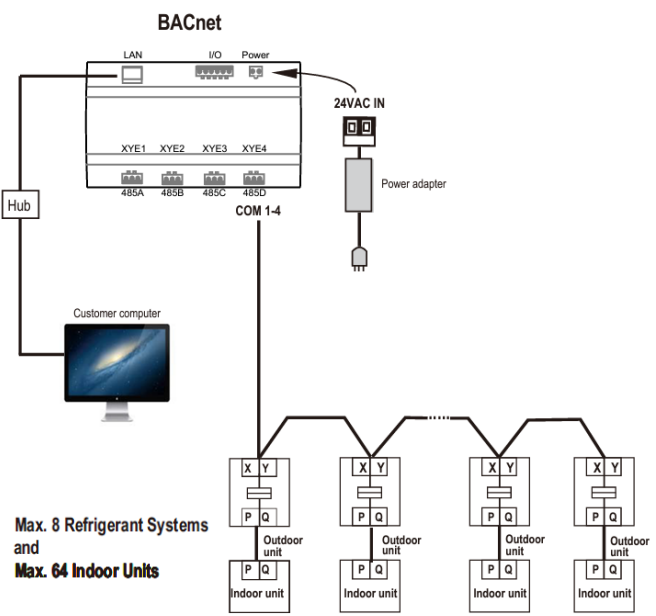
**Carrier Enterprise
Technical Services**

Contractor:
Address:
City, State:
Contact:

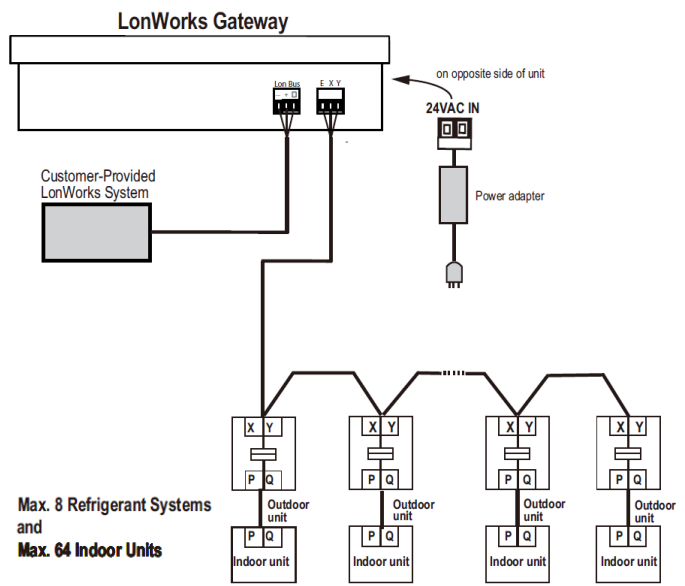
Zip:
Phone:

BACnet Interface – 40VM900052A:

- IP Address: _____ Subnet Mask: _____ Default Gateway: _____
- 24 VAC power supplied to control. Yes No
- All control wiring is stranded, 2-conductor, non-polarity, shielded wire 16 AWG. Yes No
- If not, enter what was used here. _____
- Indoor unit(s) / MDC unit(s) daisy chain connected to BACnet Com 0 - X, Y terminals. Yes No
- Wire shield is secured per install instructions. Yes No



**Max. 8 Refrigerant Systems
and
Max. 64 Indoor Units**



**Max. 8 Refrigerant Systems
and
Max. 64 Indoor Units**

LonWorks Interface – 40VM900053:

- 24 VAC power supplied to control. Yes No
- All control wiring is stranded, 2-conductor, non-polarity, shielded wire 16 AWG. Yes No
- If not, enter what was used here. _____
- Indoor unit(s) / MDC unit(s) daisy chain connected to LonWorks Interface X, Y terminals. Yes No
- Wire shield is secured per install instructions. Yes No



**Go Above.
Think Beyond.**

Carrier Bryant VRF Controls Checklist

Start Up Assistance Request

For start-up assistance - coordinate with CE Technical Support a minimum of 2 weeks prior to the expected start-up date. Send us this fully completed form to request an assisted commissioning. Please fill and send both to tech support.

Are controls being commissioned at the same time as equipment. Yes No

1st Choice Scheduled Date:

2nd Choice Scheduled Date:

Once received our VRF Specialist will call to review these forms, once reviewed CE will confirm a date for commissioning.

Forms must be completed by Installing Contractor:

Today's Date:

Company Name:

Technician / Installer:

Signature:

By signing this the contractor confirms all information provided is correct. If CE arrives on site and system is not ready for commissioning additional fees may be charged.